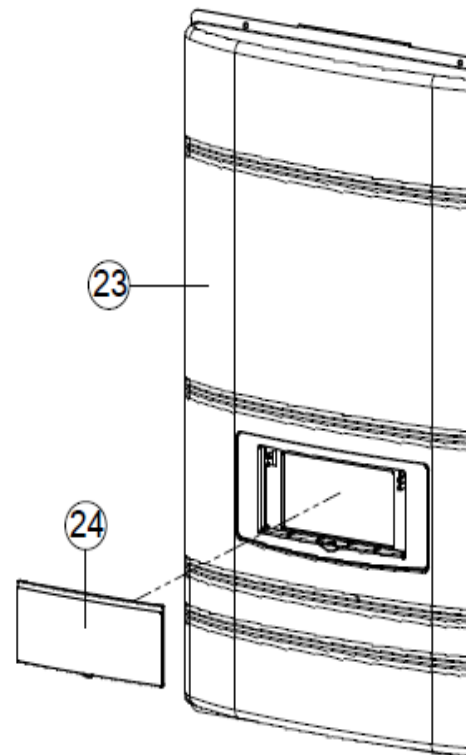
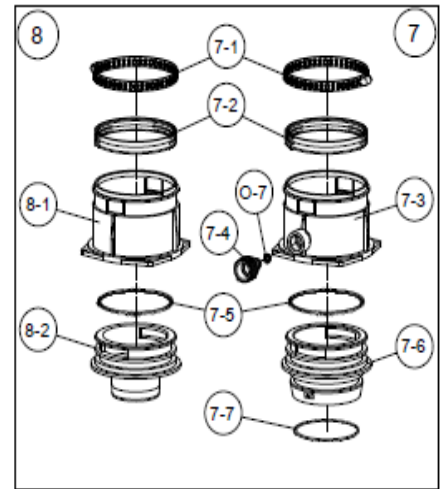


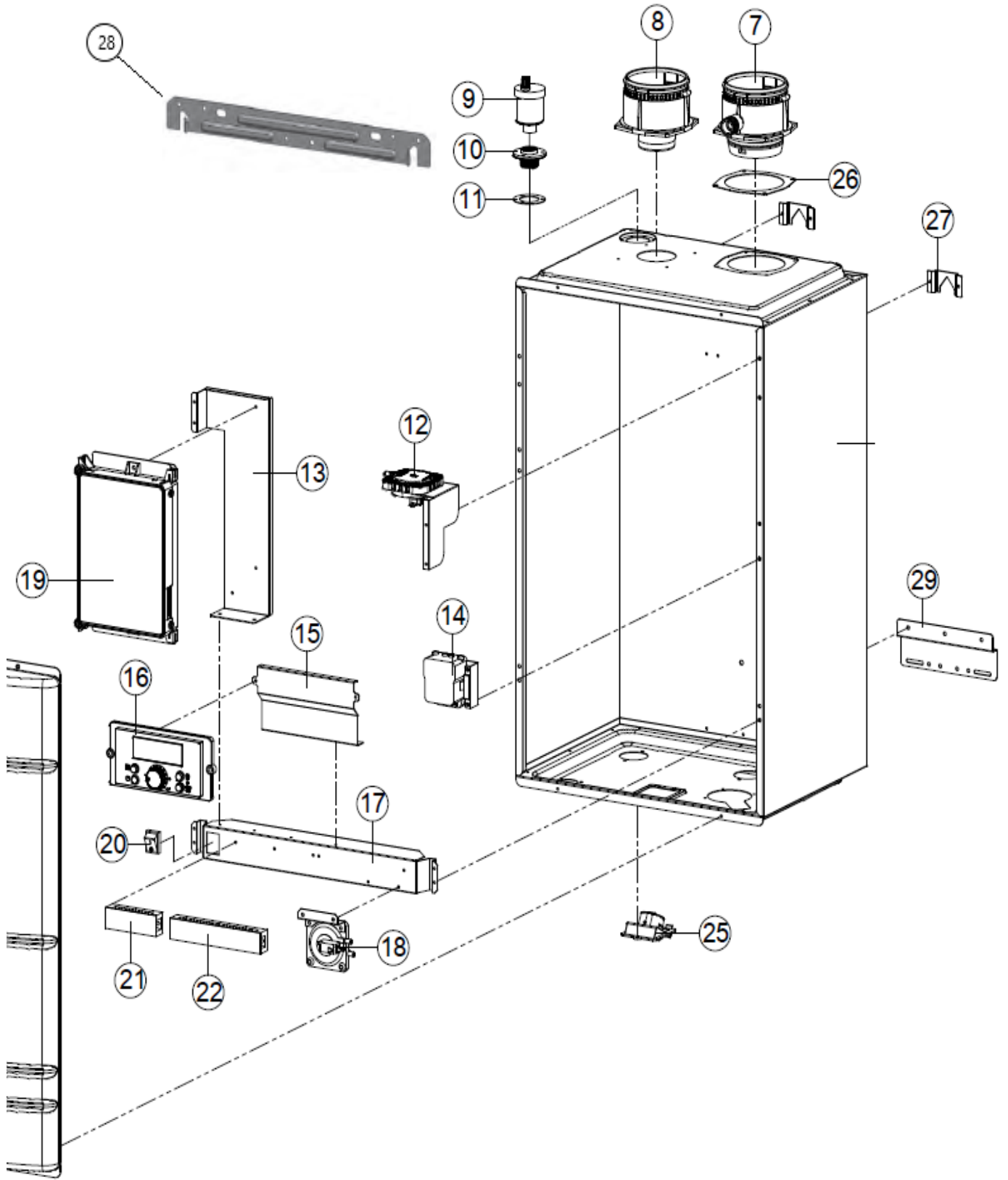
SECTION 10 Parts

10.1 Parts Lists and Illustrations (80-140)

Casing Parts (80 MBH to 140 MBH)

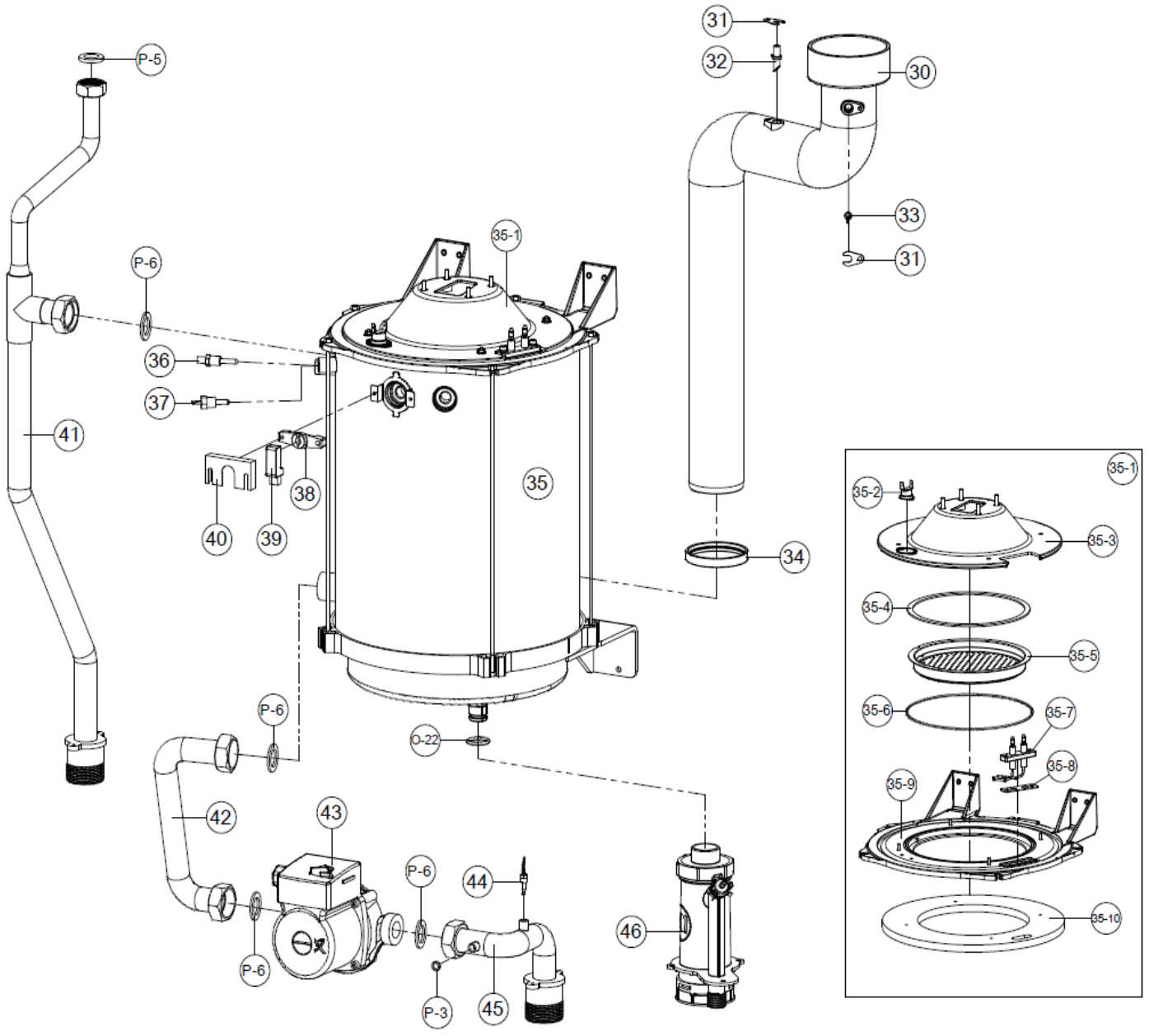
| No. | Description | Part Number |
|-----|---|-------------|
| O-7 | O-Ring P7 | FT1601 |
| 7 | Exhaust vent duct Assembly | FT1002 |
| 7-1 | Stainless band (Ø100) | FT1603 |
| 7-2 | Packing | FT1604 |
| 7-3 | Exhaust vent duct | FT1611 |
| 7-4 | Exhaust testing cap | FT1606 |
| 7-5 | O-Ring P85 | FT1607 |
| 7-6 | Exhaust vent adaptor(Inside) | FT1608 |
| 7-7 | O-Ring P75 | FT1609 |
| 8 | Air inlet duct Assembly | FT1010 |
| 8-1 | Air inlet duct | FT1605 |
| 8-2 | Air inlet adaptor (Inside) | FT1612 |
| 9 | Air vent | FT1321 |
| 10 | Air vent adaptor | FT1548 |
| 11 | Air vent rubber pad | FT1939 |
| 12 | Air pressure sensor(80) | FT1804 |
| 13 | Control bracket | FT1049 |
| 14 | Ignition transformer | ST1006 |
| 15 | Control sub-bracket | FT1050 |
| 16 | Display Control (P-950EH) | FT1053 |
| 17 | Bracket | FT1051 |
| 18 | Condensate blockage, Air pressure switch | FT1022 |
| 19 | PCB Control (NGTB-900CP) | FT1052 |
| 20 | Power switch | FT1020 |
| 21 | Terminal block (6P) | FT1827 |
| 22 | Terminal block (12P) | FT1618 |
| 23 | Front cover | FT1054 |
| 24 | Control display cover / window | FT1024 |
| 25 | Pressure gauge | FT1058 |
| 26 | Intake/Exhaust sealing pad | FT1771 |
| 27 | Wall hung bracket (top) | FT1055 |
| 28 | Wall Mount Bracket | FT1894 |
| 29 | Wall hung bracket (bottom) | FT1057 |





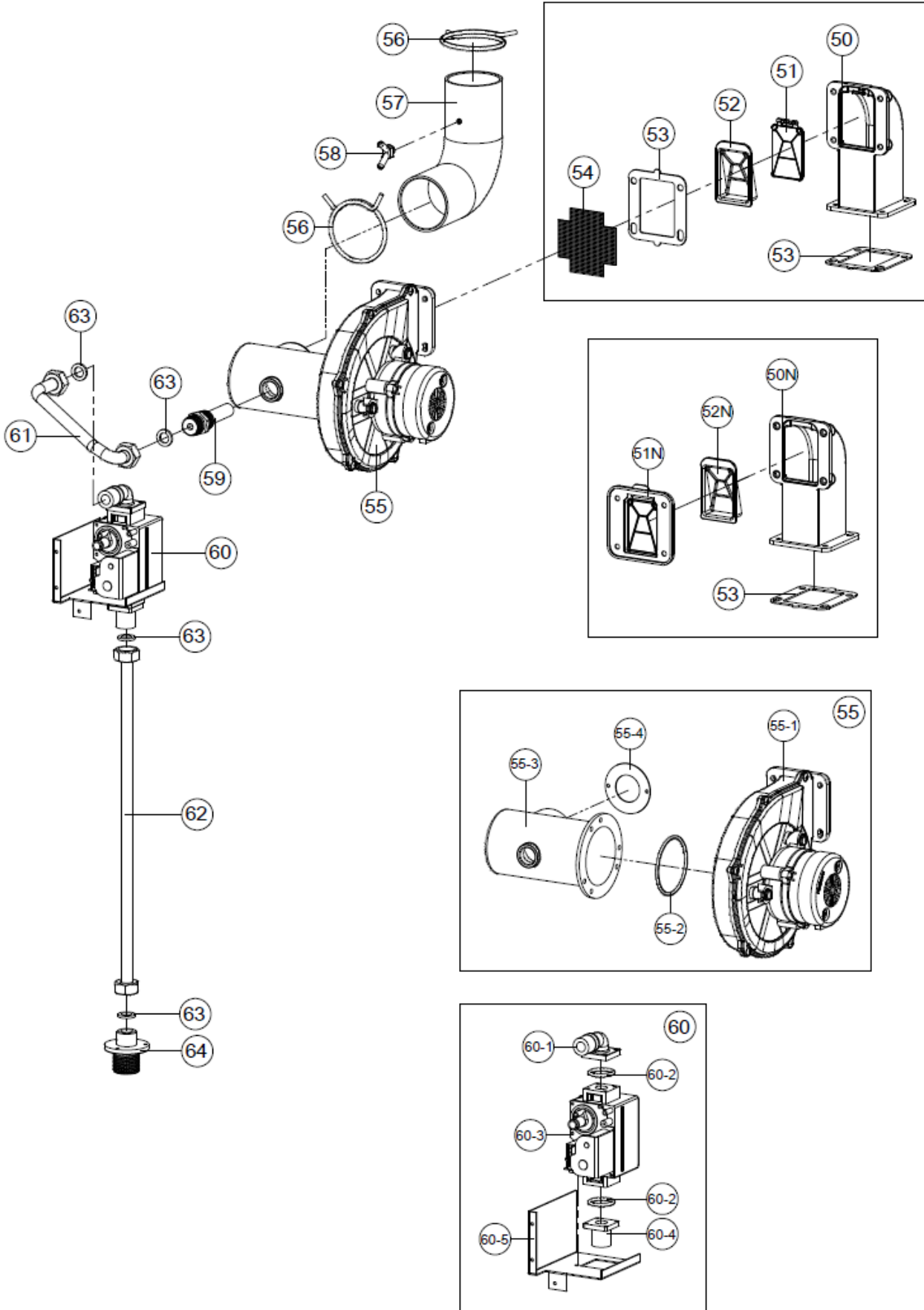
Heat Exchanger Parts (80 MBH to 140 MBH)

| No. | Description | Part Number |
|-------|------------------------------------|-------------|
| O-22 | O-Ring P22 | FT1514 |
| P-3 | 3/8" Packing | FT1060 |
| P-5 | 3/4" Packing | FT1646 |
| P-6 | 1" Packing | FT1691 |
| 30 | Exhaust pipe | FT1067 |
| 31 | Exhaust sensor bracket | FT1529 |
| 32 | EX-Adaptor | FT1784 |
| 33 | Exhaust overheat sensor | FT1307 |
| 34 | Exhaust pipe packing (lower) | FT1666 |
| 35 | Heat Exchanger Assembly (80,100K) | FT1852 |
| | Heat Exchanger Assembly (120,140K) | FT1068 |
| 35-1 | Burner Assembly | FT1309 |
| 35-2 | Overheat sensor | FT1310 |
| 35-3 | Burner upper case | FT1658 |
| 35-4 | Ceramic paper (TBD) | FT1659 |
| 35-5 | Burner | FT1314 |
| 35-6 | Burner case sealing O-ring | FT1661 |
| 35-7 | Ignition rod | FT1315 |
| 35-8 | Ignition rod gasket | FT1316 |
| 35-9 | Burner downside case | FT1664 |
| 35-10 | Refractory | FT1665 |
| 36 | Temperature sensor | FT1324 |
| 37 | Low level sensor | FT1325 |
| 38 | Flame detector sensor bracket | FT1669 |
| 39 | Flame detector sensor | FT1327 |
| 40 | Flame detector sensor cover | FT1069 |
| 41 | CH Outlet Pipe (80,100K) | FT1853 |
| | CH Outlet Pipe (120,140K) | FT1070 |
| 42 | CH Return Pipe-2 | FT1072 |
| 43 | Pump | FT1672 |
| 44 | CH Return sensor | FT1635 |
| 45 | CH Return pipe-1 | FT1071 |
| 46 | Condensate trap Assembly | FT1783 |



Blower Parts (80 MBH to 140 MBH)

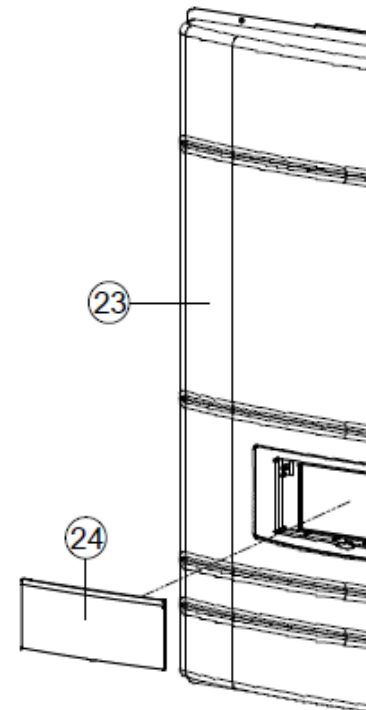
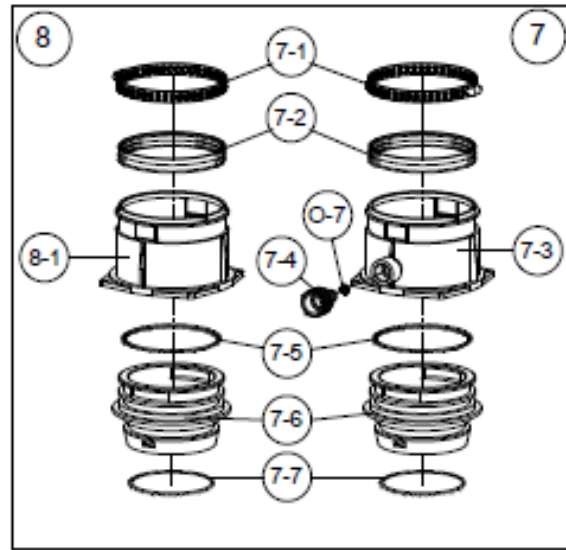
| No. | Description | Part Number |
|------|----------------------------|-------------|
| 50 | Fan guide | FT1079 |
| 50N | Fan guide | FT1940 |
| 51 | Damper packing | FT1080 |
| 51N | Damper packing | FT1941 |
| 52 | Damper body | FT1081 |
| 52N | Damper body | FT1942 |
| 53 | Fan rubber packing (1.6t) | FT1082 |
| 54 | Mesh | FT1720 |
| 55 | Fan Assembly(80K) | FT1862 |
| | Fan Assembly (100K) | FT1863 |
| | Fan Assembly (120K) | FT1864 |
| | Fan Assembly (140K) | FT1407 |
| 55-1 | Fan | FT1406 |
| 55-2 | Fan sealing O-Ring | ST1038 |
| 55-3 | Gas mixer housing | FT1409 |
| 55-4 | Intake orifice (80K) | FT1865 |
| | Intake orifice (100K) | FT1866 |
| | Intake orifice (120K) | FT1867 |
| | Intake orifice (140K) | FT1535 |
| 56 | Stainless band (Ø60) | FT1078 |
| 57 | Air intake hose (80,100K) | FT1878 |
| | Air intake hose (120,140K) | FT1533 |
| 58 | Orifice | FT1713 |
| 59A | Nozzle (natural/80K) | FT1943 |
| | Nozzle (natural/100K) | FT1944 |
| | Nozzle (natural/120K) | FT1945 |
| | Nozzle (natural/140K) | FT1412N |
| 59B | Nozzle (Propane/80K) | FT1946 |
| | Nozzle (Propane/100K) | FT1947 |
| | Nozzle (Propane/120K) | FT1948 |
| | Nozzle (Propane/140K) | FT1412P |
| 60 | Gas valve Assembly | FT1413 |
| 60-1 | Gas valve outlet adaptor | FT1728 |
| 60-2 | Gas valve O-Ring | FT1727 |
| 60-3 | Gas valve | FT1537 |
| 60-4 | Gas valve inlet adaptor | FT1538 |
| 60-5 | Gas valve bracket | FT1539 |
| 61 | Gas pipe (upper/80,100K) | FT1060 |
| | Gas pipe (upper/120,140K) | FT1084 |
| 62 | Gas pipe (down) | FT1086 |
| 63 | 1/2" Spiral packing | FT1421 |
| 64 | Gas inlet adaptor | FT1087 |

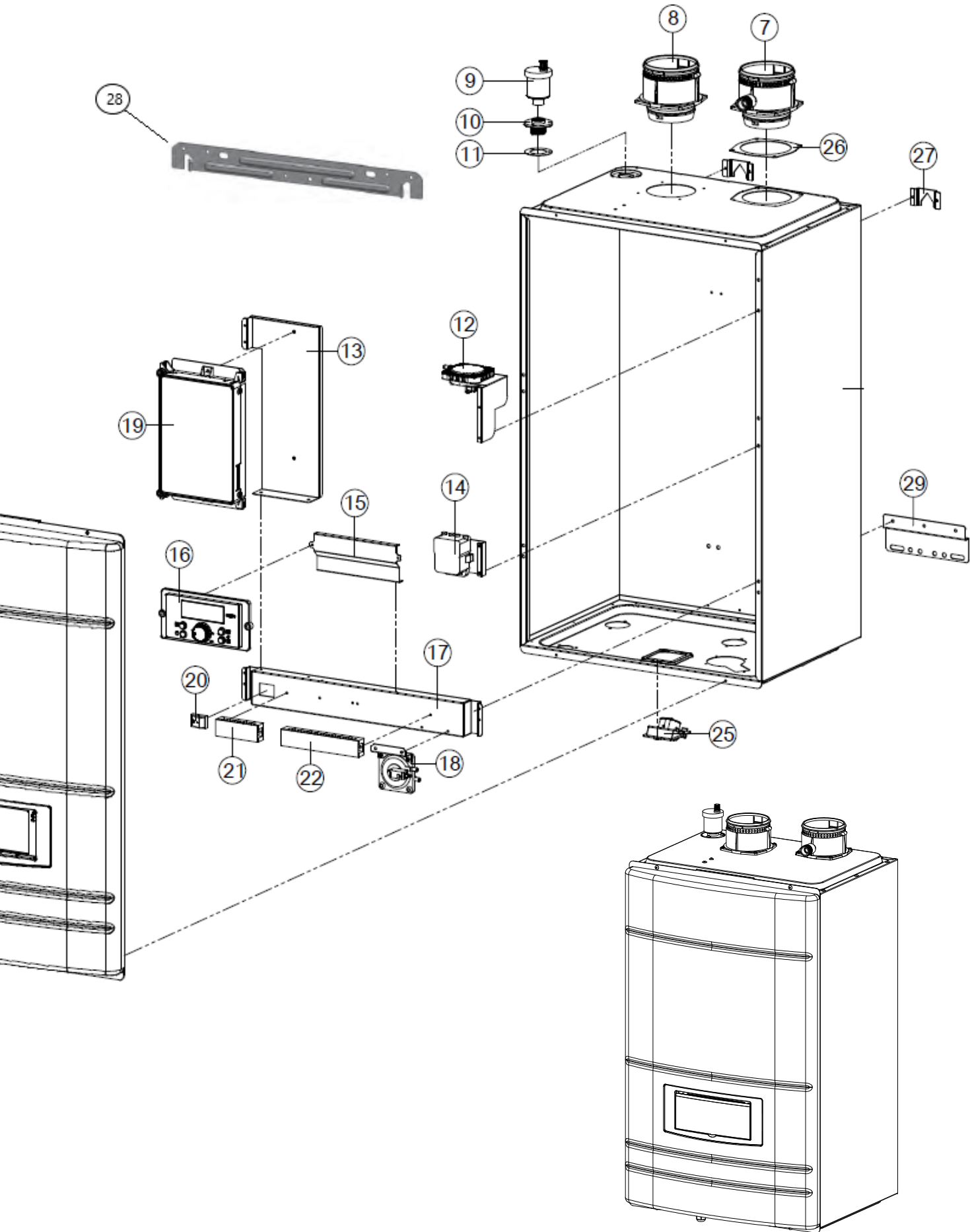


10.2 Parts Lists and Illustrations (199)

Casing Parts (199 MBH)

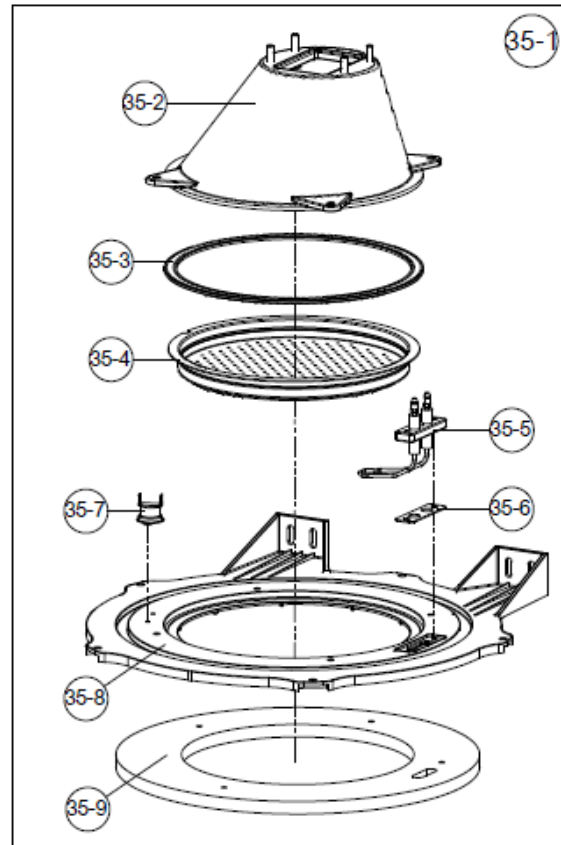
| No. | Description | Part Number |
|-----|---|-------------|
| O-7 | O-Ring P7 | FT1601 |
| 7 | Exhaust vent duct Assembly | FT1002 |
| 7-1 | Stainless band (Ø100) | FT1603 |
| 7-2 | Packing | FT1604 |
| 7-3 | Exhaust vent duct | FT1611 |
| 7-4 | Exhaust testing cap | FT1606 |
| 7-5 | O-Ring P85 | FT1607 |
| 7-6 | Exhaust vent adaptor(Inside) | FT1608 |
| 7-7 | O-Ring P75 | FT1609 |
| 8 | Air inlet duct Assembly | FT1909 |
| 8-1 | Air inlet duct | FT1605 |
| 9 | Air vent | FT1321 |
| 10 | Air vent adaptor | FT1548 |
| 11 | Air vent rubber pad | FT1939 |
| 12 | Air pressure sensor(80) | FT1804 |
| 13 | Control bracket | FT1751 |
| 14 | Ignition transformer | ST1006 |
| 15 | Control sub-bracket | FT1752 |
| 16 | Display Control (P-950EH) | FT1053 |
| 17 | Bracket | FT1753 |
| 18 | Condensate blockage, Air pressure switch | FT1022 |
| 19 | PCB Control (NGTB-900CP) | FT1052 |
| 20 | Power switch | FT1020 |
| 21 | Terminal block (6P) | FT1827 |
| 22 | Terminal block (12P) | FT1618 |
| 23 | Front cover | FT1949 |
| 24 | Control display cover / window | FT1024 |
| 25 | Pressure gauge | FT1058 |
| 26 | Intake/Exhaust sealing pad | FT1771 |
| 27 | Wall hung bracket(top) | FT1924 |
| 28 | Wall Mount Bracket | FT1894 |
| 29 | Wall hung bracket(bottom) | FT1936 |

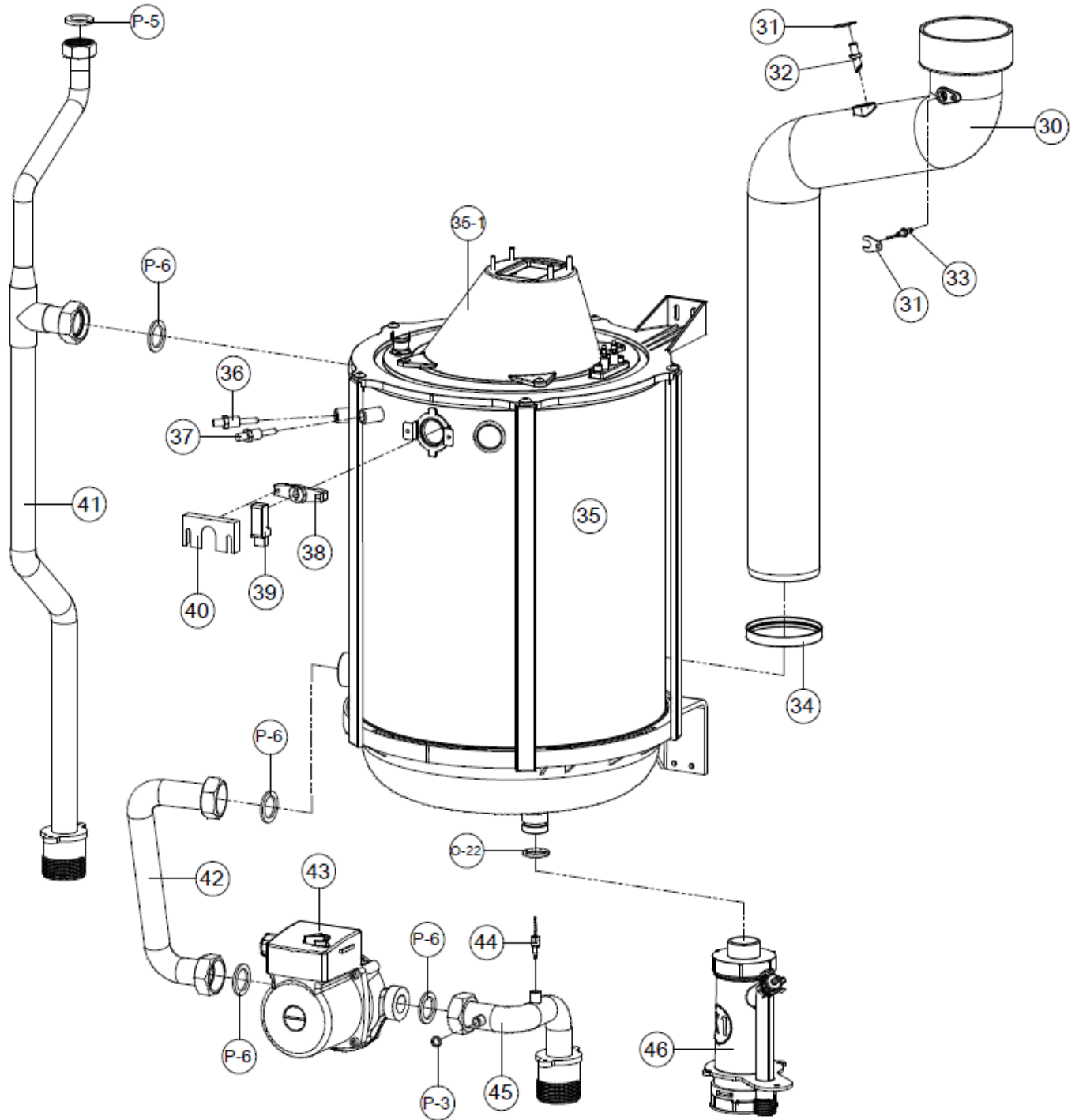




Heat Exchanger Parts (199 MBH)

| No. | Description | Part Number |
|------|-------------------------------|-------------|
| O-22 | O-Ring P22 | FT1644 |
| P-3 | 3/8" Packing | FT1060 |
| P-5 | 3/4" Packing | FT1646 |
| P-6 | 1" Packing | FT1691 |
| 30 | Exhaust pipe | FT1823 |
| 31 | Exhaust sensor bracket | FT1529 |
| 32 | EX-Adaptor | FT1784 |
| 33 | Exhaust overhear sensor | FT1307 |
| 34 | Exhaust pipe packing (lower) | FT1836 |
| 35 | Heat Exchanger Assembly | FT1758 |
| 35-1 | Burner Assembly | FT1796 |
| 35-2 | Burner upper case | FT1760 |
| 35-3 | Burner packing | FT1824 |
| 35-4 | Burner | FT1762 |
| 35-5 | Ignition rod | FT1763 |
| 35-6 | Ignition rod gasket | FT1316 |
| 35-7 | Overheat sensor | FT1310 |
| 35-8 | Burner downside case | FT1764 |
| 35-9 | Refractory | FT1826 |
| 36 | Temperature sensor | FT1324 |
| 37 | Low level sensor | FT1325 |
| 38 | Flame detector sensor bracket | FT1669 |
| 39 | Flame detector sensor | FT1327 |
| 40 | Flame detector sensor cover | FT1069 |
| 41 | CH Outlet pipe | FT1765 |
| 42 | CH Return pipe-2 | FT1768 |
| 43 | Pump | FT1767 |
| 44 | CH Return sensor | FT1635 |
| 45 | CH Return pipe-1 | FT1071 |
| 46 | Condensate trap Assembly | FT1783 |





Blower Parts (199 MBH)

| No. | Description | Part Number |
|------|---------------------------|-------------|
| 50 | Fan guide | FT1769 |
| 51 | Damper packing | FT1770 |
| 52 | Damper body | FT1081 |
| 53 | Fan rubber packing (1.6t) | FT1082 |
| 54 | Fan guide packing | FT1772 |
| 55 | Fan Assembly | FT1916 |
| 55-1 | Fan | FT1406 |
| 55-2 | Fan sealing O-Ring | ST1038 |
| 55-3 | AGM Venturi | FT1773 |
| 55-4 | AGM O-Ring | FT1774 |
| 55-5 | AGM Body | FT1775 |
| 56 | Stainless band (Ø100) | FT1603 |
| 57 | Air intake hose | FT1846 |
| 58 | Orifice | FT1918 |
| 59 | Stainless band (Ø89) | FT1777 |
| 60 | Gas valve Assembly | FT1950 |
| 60-1 | Gas valve outlet adaptor | FT1919 |
| 60-2 | Gas valve O-Ring | FT1727 |
| 60-3 | Gas valve | FT1416 |
| 60-4 | Gas valve inlet adaptor | FT1538 |
| 60-5 | Gas valve bracket | FT1779 |
| 61 | Nozzle (natural) | FT1780 |
| | Nozzle (propane) | FT1802 |
| 62 | Gas pipe (upper) | FT1781 |
| 63 | 1/2" Spiral packing | FT1710 |
| 64 | Gas pipe (down) | FT1782 |
| 65 | Gas inlet adaptor | FT1889 |

