

Job Name		Engineer / Architect	
Job Location		Wholesaler	
Submittal Date		Contractor	

B1-**DW Speedi Plumb® PLUS Braided Dishwasher Connector - Compression Inlet

Use: For use in potable water distribution systems in accessible locations only.

Design Features:

- **Engineered polymer braided** fibers bend freely without kinking or crimping
- **Reinforced PVC inner hose** provides added durability
- **Rubber washers** provide a large pliable sealing surface and ensure a long lasting water-tight connection

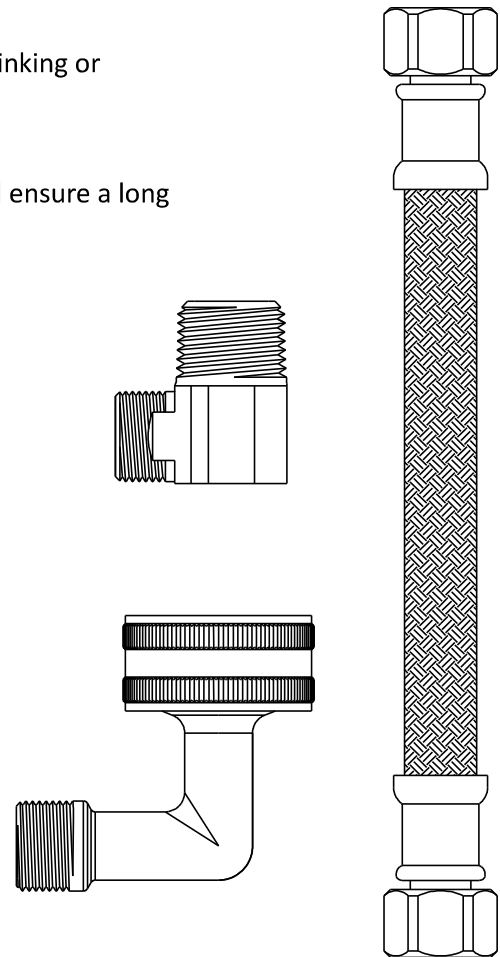


Operating Specifications:

Temperature: 40°- 160° F, intermittent to 180° F
Pressure: 125 PSI maximum

Tubing Diameter: 0.300" ID (0.550" OD)

CONNECTOR MATERIAL SPECIFICATIONS	
Inner Hose	Reinforced PVC
Braiding	PVC coated yarn
Barb	Brass
Ferrule	Stainless steel
Washer	Rubber
Compression Nut	Brass, plated
Elbow Adaptor	Brass, plated
Fitting Adaptor	Brass, plated



Part Listing:

- B1-12DW F 3/8" compression x 3/8" compression x 12" length
- B1-16DW F 3/8" compression x 3/8" compression x 16" length
- B1-20DW F 3/8" compression x 3/8" compression x 20" length
- B1-36DW F 3/8" compression x 3/8" compression x 36" length
- B1-48DW F 3/8" compression x 3/8" compression x 48" length
- B1-48DW6 F 3/8" compression x 3/8" compression x 48" length w/ 3/8" MIP elbow
- B1-48DW6 P 3/8" compression x 3/8" compression x 48" length w/ 3/8" MIP elbow, bagged
- B1U-48DW612 D Universal Connector - 3/8" compression x 3/8" compression x 48" length w/ 3/8" MIP elbow, 1/2" compression, & 1/2" FIP adaptors, carded
- B1-48DW12 F 3/8" compression x 3/8" compression x 48" length w/ 3/4" garden hose elbow
- B1-48DW12 P 3/8" compression x 3/8" compression x 48" length w/ 3/4" garden hose elbow, bagged

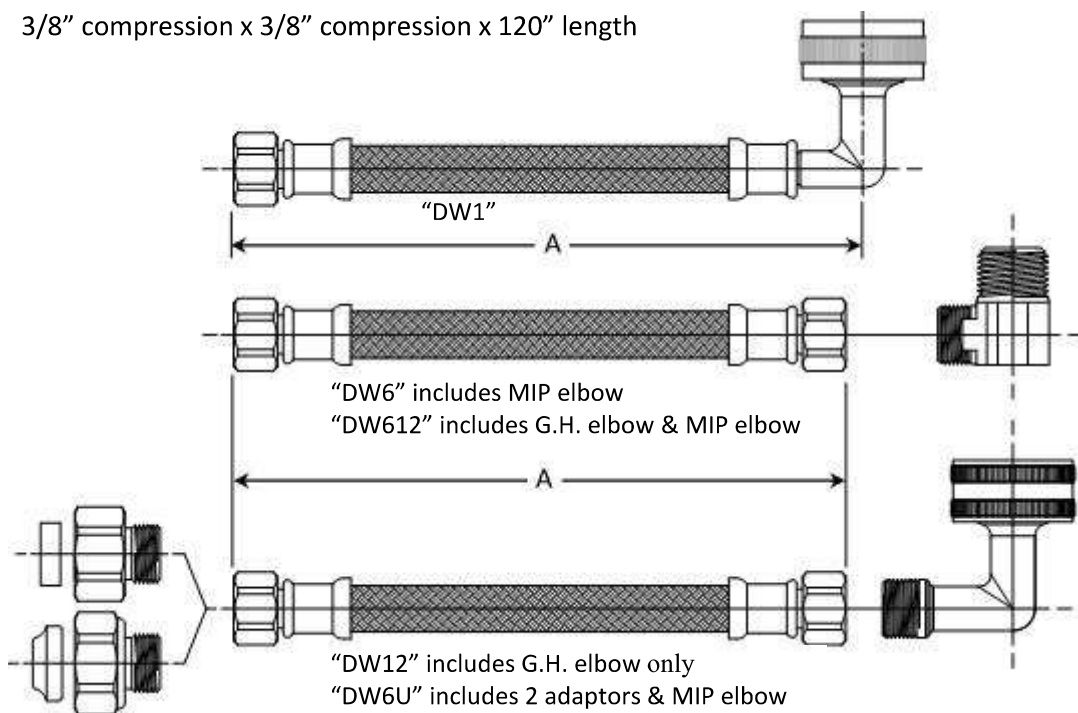
This specification and all information contained herein is the confidential and exclusive property of Brasscraft Manufacturing Company, and shall not be disclosed to others without the written consent of Brasscraft Mfg. Co. This specification must be returned to Brasscraft Mfg. Co. if requested.



B1-**DW Speedi Plumb® PLUS Braided Dishwasher Connector - Compression Inlet

Part Listing (con't):

- B1-60DW F 3/8" compression x 3/8" compression x 60" length
- B1-60DW6 F 3/8" compression x 3/8" compression x 60" length w/ 3/8" MIP elbow
- B1-60DW6 P 3/8" compression x 3/8" compression x 60" length w/ 3/8" MIP elbow, bagged
- B1-60DW12 F 3/8" compression x 3/8" compression x 60" length w/ 3/4" garden hose elbow
- B1-60DW12 P 3/8" compression x 3/8" compression x 60" length w/ 3/4" garden hose elbow, bagged
- B1-72DW F 3/8" compression x 3/8" compression x 72" length
- B1-72DW6 F 3/8" compression x 3/8" compression x 72" length w/ 3/8" MIP elbow
- B1-72DW6 P 3/8" compression x 3/8" compression x 72" length w/ 3/8" MIP elbow, bagged
- B1-72DW12 F 3/8" compression x 3/8" compression x 72" length w/ 3/4" garden hose elbow
- B1-72DW12 P 3/8" compression x 3/8" compression x 72" length w/ 3/4" garden hose elbow, bagged
- B1-72DW612 B 3/8" compression x 3/8" compression x 72" length w/ 3/4" garden hose elbow, bulk
- B1U-72DW612 D Universal Connector - 3/8" compression x 3/8" compression x 72" length w/ 3/8" MIP elbow, 1/2" compression, & 1/2" FIP adaptors, carded
- B1-84DW6 F 3/8" compression x 3/8" compression x 84" length w/ 3/8" MIP elbow
- B1-120DW F 3/8" compression x 3/8" compression x 120" length



PART DIMENSIONS (Inches)	
Model	DIM. A
B1-12DW	12.0 / 13.0
B1-16DW	16.0 / 17.0
B1-20DW	20.0 / 21.0
B1-36DW	36.0 / 37.0

PART DIMENSIONS (Inches)	
Model	DIM. A
B1-48DW	48.0 / 49.0
B1-48DW6	48.0 / 49.0
B1U-48DW6	48.0 / 49.0
B1-60DW	60.0 / 61.0

PART DIMENSIONS (Inches)	
Model	DIM. A
B1-60DW6	60.0 / 61.0
B1-72DW	72.0 / 73.0
B1-72DW6	72.0 / 73.0
B1-120DW	120.0 / 121.0

Listings & Certifications:

- IAPMO listed to ASME A112.18.6 / CSA B125.6
- IAPMO listed to NSF/ANSI 372 for Low-Lead Compliance
- IAPMO listed to NSF/ANSI/CAN 61



This specification and all information contained herein is the confidential and exclusive property of Brasscraft Manufacturing Company, and shall not be disclosed to others without the written consent of Brasscraft Mfg. Co. This specification must be returned to Brasscraft Mfg. Co. if requested.

BrassCraft®