

*For Residential and Commercial Applications*

Job Name		Engineer / Architect	
Job Location		Wholesaler	
Submittal Date		Contractor	

## R04/14/34X      Multi-Turn Straight Stop – Sweat x Compression

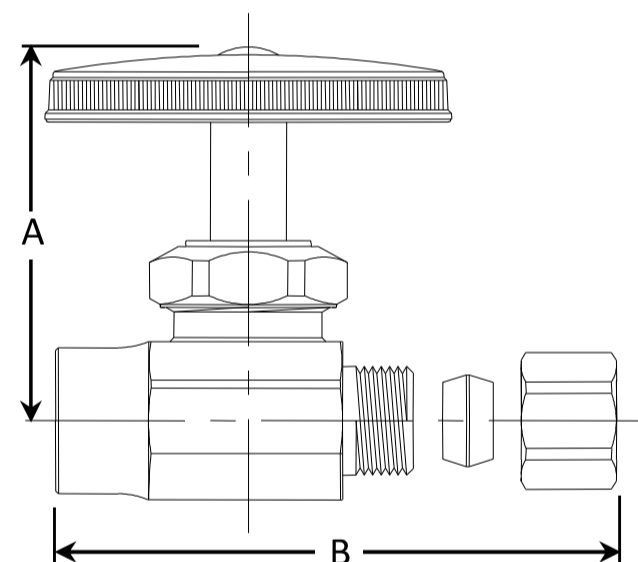
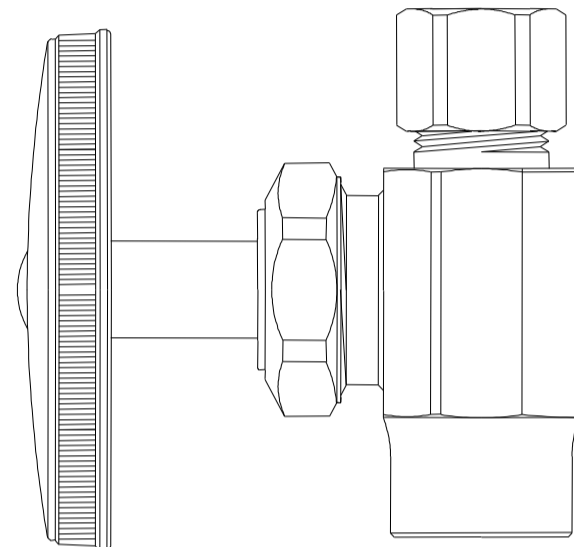
**Use:** For use with potable water systems in accessible locations only. Not intended for recirculating water systems that produce continuous use temperatures above 115° F. For those applications, use our KT™ series ball stops.

**Design Features:**

- **Machined one-piece brass body** provides strength, durability, and long-lasting performance
- **Oval knurled handle** provides a secure grip and smooth on/off operation
- **Easy-to-remove handle** with screw attachment helps protect against accidental stop operation during rough-ins
- **✓**

**Operating Specifications:**

**Temperature:** 40° - 160° F  
**Pressure:** 125 PSI maximum



STOP MATERIAL SPECIFICATIONS	
<b>Body</b>	Brass or brass, plated
<b>Stem</b>	Brass or brass, plated
<b>Bib &amp; Packing Washers</b>	Rubber
<b>Packing Nut</b>	Brass or brass, plated
<b>Handle</b>	Zinc, die cast plated
<b>Handle Screw</b>	Steel, zinc plated
<b>Compression Sleeve</b>	Brass
<b>Compression Nut</b>	Brass or brass, plated

**Part Listing:**

- R04X C      1/2" nom sweat x 1/4" OD compression, chrome plated
- R04X R      1/2" nom sweat x 1/4" OD compression, rough brass
- R04X R1    1/2" nom sweat x 1/4" OD compression, rough brass, window tray
- R14X C      1/2" nom sweat x 3/8" OD compression, chrome
- R14X C1    1/2" nom sweat x 3/8" OD compression, chrome, window tray
- R14X CD    1/2" nom sweat x 3/8" OD compression, chrome, carded
- R14X R      1/2" nom sweat x 3/8" OD compression, rough brass
- R14X R1    1/2" nom sweat x 3/8" OD compression, rough brass, window tray
- R34X C      1/2" nom sweat x 1/2" OD compression, chrome
- R34X R      1/2" nom sweat x 1/2" OD compression, rough brass

PART DIMENSIONS (Inches)		
Model	DIM. A	DIM. B
R04X	1.56	1.95
R14X	1.56	2.00
R34X	1.56	2.06

**Listings & Certifications:**

- IAPMO listed to ASME A112.18.1 / CSA B125.1 (includes NSF/ANSI 372 and NSF/ANSI/CAN 61)



*This specification and all information contained herein is the confidential and exclusive property of BrassCraft Manufacturing Company and shall not be disclosed to others without the written consent of BrassCraft. This specification must be returned to BrassCraft if requested.*

