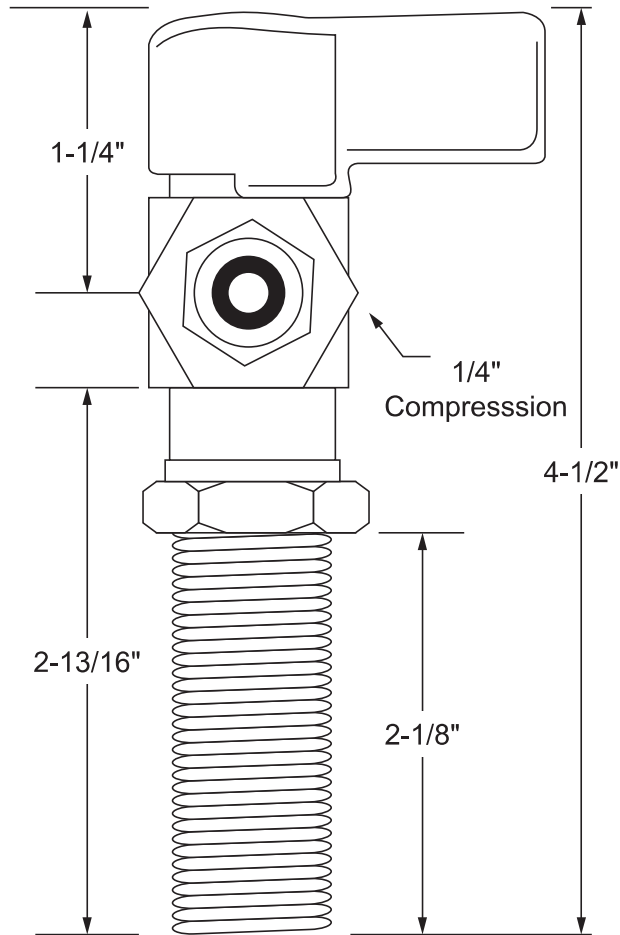




**Lead Free Ice Maker Valve with
Sweat Connection**



Specifications:

Furnish and install lead free 1/4 turn brass ice maker outlet box valve.

Pressure Test:

Tested with 150 psi air under water

Valve Approvals:

UPC Listed

Item #	Product Description	Model #	Quantity
88416	Lead free brass quarter turn - 1/2" sweat connection	88416	1



500 Distribution Parkway, Collierville, TN 38017 ▪ Phone: 800-888-8312 ▪ Fax: 901-853-5008 ▪ www.ipscorp.com